

2K Outdoor Wi-Fi Camera

Home Surveillance, Unconfined

Stylish enough for your living room and tough enough for your front porch, the DCS-8302LH reimagines home surveillance in vivid 2K 1296p clarity.

DCS-8302LH

- 2K resolution at 30 fps with 141-degree FOV so you never miss a thing¹
- IR night vision up to 5 m (16 ft) lets you see what's happening, even in total darkness
- AI-based detection of people and glass-breaking sounds
- Enhanced sound and motion detection add new lines of defense to your business's surveillance
- Weather resistant for outdoor installation
- Operates in extreme temperatures of -20 to 45°C (-4 to 113°F)
- Two-way audio with built-in microphone and speaker lets you hear and be heard
- 95 dB siren wards off intruders and alerts you to a detection
- Wi-Fi and Ethernet connectivity options
- Built-in Bluetooth Low Energy technology for faster setup
- Supports cloud / microSD (max. 256 GB) / phone and ONVIF Profile S recording²
- Futureproof with next-generation IPv6 support
- Supports WPA3 encryption for more protection
- Versatile rotating stand for optimal angle adjustment
- Wall, ceiling and pole mountable (hardware included)
- Access anytime, anywhere with the free mydlink app⁴
- Works with the Google Assistant and Alexa



2K Resolution

1296p at 30 FPS resolution



Weather Resistant

Suitable for outdoor installation



Built-In AI-Based Person Detection

Intelligently identifies human motion



Day & Night

See up to 5 meters in the dark



Two-Way Audio

Transmit and receive audio with built-in microphone and speaker



Supports WPA3™

The latest Wi-Fi security for more protection



Glass-Break Detection

AI algorithm detects the sound of breaking or shattering glass



ONVIF Compliant

Supports ONVIF for continuous recording with compatible NVR, VMS or NAS

General

Video Compression	H.264
Max. Resolution	2 Megapixel (2K)
Max. Frame	1296p (2304 x 1296)
Image Sensor	1/2.9" Progressive CMOS sensor
Day & Night - IR LED	5 m (16 ft)
Focal Length	2.90 mm
Aperture	F2.2
Angle of View	(H) 116° (V) 64° (D) 141°
Audio	Built-in microphone and speaker
Audio Codec	MPEG-2 AAC LC

Functionality

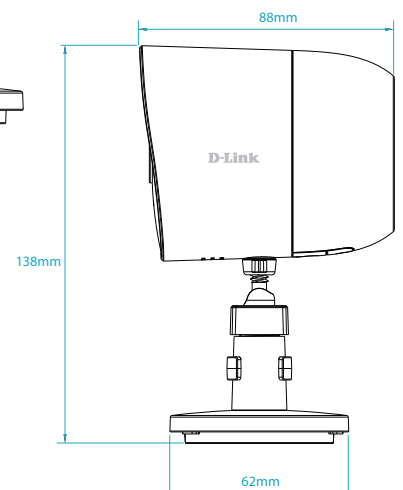
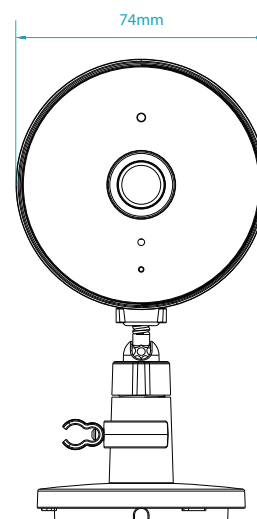
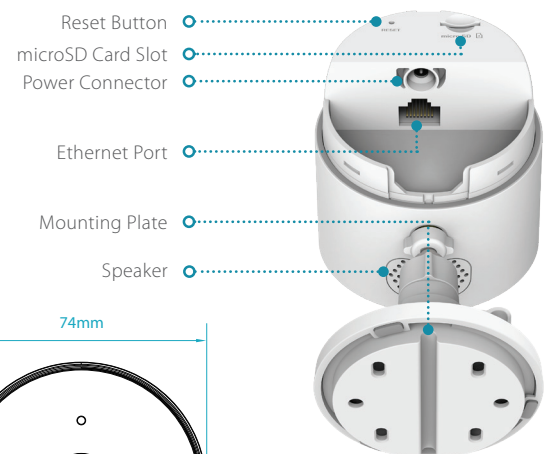
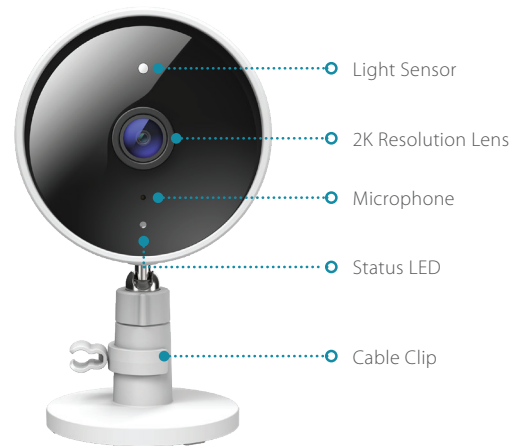
Wireless IEEE Standard	802.11n/g wireless (2.4 GHz) ⁵
Wi-Fi Security Protocol	WPA2/WPA3
Bluetooth	Bluetooth Low Energy 4.2
Ethernet	802.3u
Network Protocols	IPv4, IPv6 dual stack, Bonjour (mDNS and DNS-SD), ONVIF Profile S, RTSP, SRTP (D-Link private), HTTPS

Software

Device Management	mydlink app (iOS and Android), mydlink Portal
Features	Motion detection, person detection, sound detection, glass break sound detection
Recording	mydlink Cloud Recording, microSD card recording (Up to 256 GB capacity) ³
Notifications	Push notifications with a snapshot and quick action buttons (2 designated contact numbers and live view)
Voice Assistants	Amazon Alexa, the Google Assistant

Physical

Power Input	100 to 240 V AC, 50/60 Hz
Power Output	12 V DC 1.0 A
Max. Power Consumption	7 W ± 5%
Cable Length	3 m (9.8 ft)
Indoor/Outdoor	For indoor and outdoor use
Operating Temperature	-20 to 45 °C (-4 to 113 °F)
Storage Temperature	-20 to 70 °C (-4 to 158 °F)
Operating/Storage Humidity	Max. 90% non-condensing
Weight	250 g (8.8 oz)
Dimensions	138 x 88 x 62 mm (5.4 x 3.5 x 2.4 in)
Certifications	CE, LVD, RCM, FCC Class B, IC, NCC/BSMI



¹ Use of audio or video equipment for recording the image or audio of a person without their knowledge and consent is prohibited in certain states or jurisdictions. The end-user assumes all liability for compliance with applicable state, local and federal laws.

² Subscription required. Subscription and One Year Free Plan offer subject to Terms and Conditions, please visit the D-Link website for more details. D-Link reserves the right to amend Terms and Conditions without prior notice.

³ microSD card not included. Camera is compatible with microSD/SDHC/SDXC cards up to v3.01 with up to 256GB of capacity.

⁴ Please refer to the app's store page to check whether your device is compatible.

⁵ Minimum recommended upload bandwidth of 2.5 Mbps for live viewing or 5 Mbps for cloud recording.